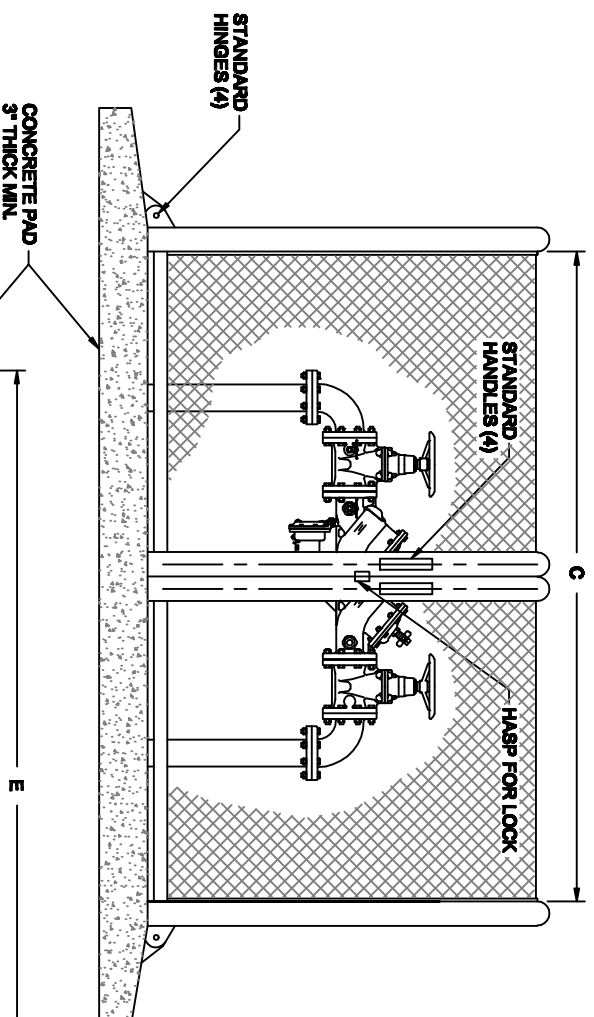
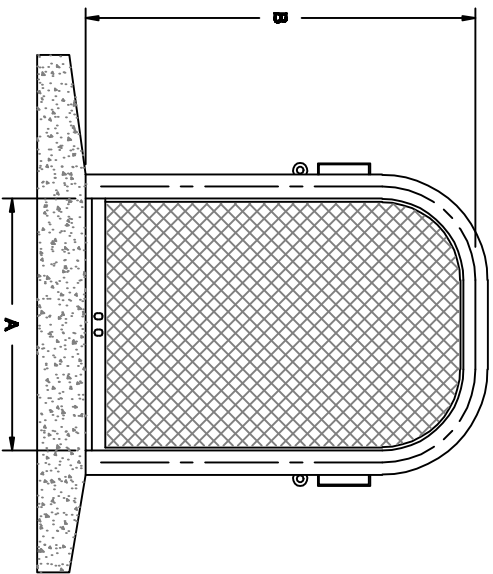


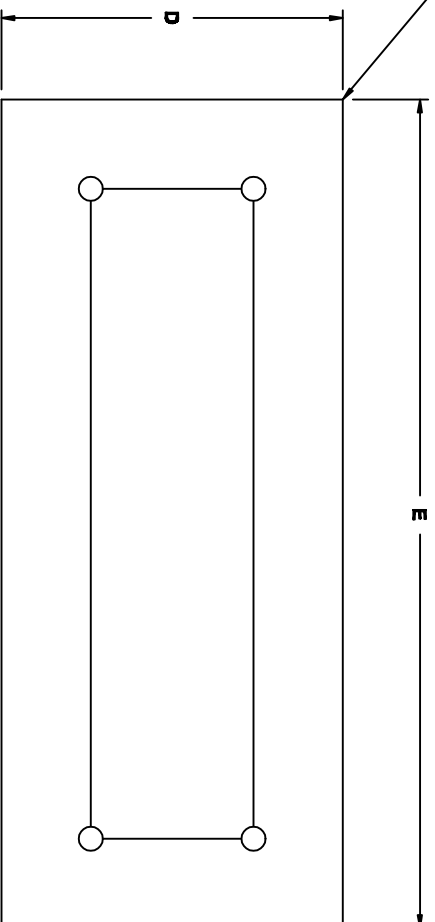
CLAMSHELL ENCLOSURE SPECIFICATIONS



NOTES:

1. ALL WELDS MIN. 1/4" BEAD EVERY 4" O.C.
2. IRON PHOSPHATE PRETREATMENT PRIOR TO PAINT
3. PAINT TO BE ELECTROSTATIC POWDER COAT- RAL 1019 TAN, FOREST GREEN OR APPROVED EQUAL

INSIDE DIMENSIONS			PAD SIZING		
MODEL	A	B	C	D	E
QE-4.5	16"	30"	64"	26"	86"
QE-5	24"	40"	68"	34"	88"
QE-6	24"	40"	80"	34"	102"
QE-7	30"	48"	99-1/2"	40"	122"
QE-8	36"	60"	99-1/2"	48"	122"
QE-8.5	36"	60"	120"	48"	142"



QUALITY ENCLOSURE™

PH 602-277-3698 FAX 1-888-872-4223

QualityEnclosureOnline.com

SCALE: 1"=1'
DETAIL:

DATE: 6/16/09

REV

QE-4.5-8.5

0